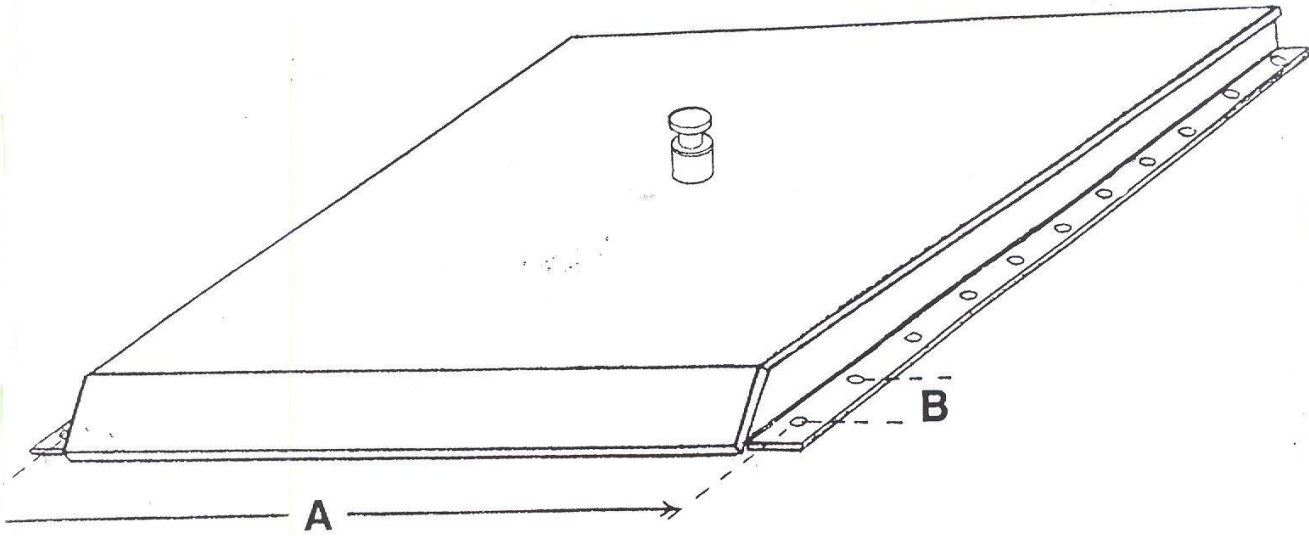


5th Wheel Plates



A - (Mounting Width)

B - (Bolt Hole Width)

Contact Information

Name:

Business Name:

Email Address:

Phone Number:

Fax Number:

Best Method of Contact:

Phone:

Email:

Fax:

Any of the Above

Shipping Information

Name:

Business Name:

Address:

City:

State:

Zip:

Phone Number:

Email or Fax to:
330-756-2015

Any Questions Call: 800-826-5377 or Email Us at: superiortank2@gmail.com